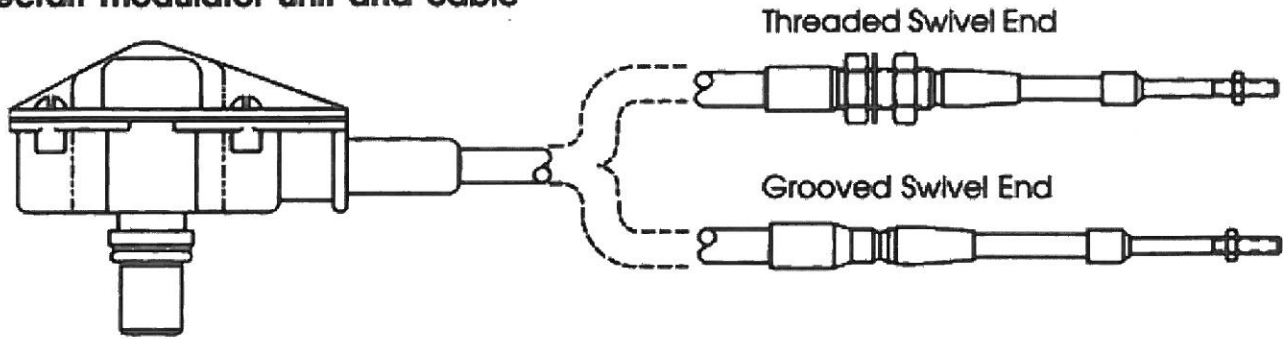


# Modulator Cables

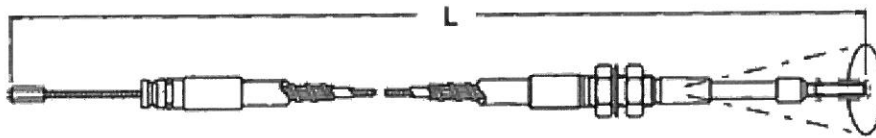
Modulator and cable interconnect Allison® automatic transmission with engine fuel control. Modulator can be set to either "push" or "pull" to operate.

## Cablecraft modulator unit and cable

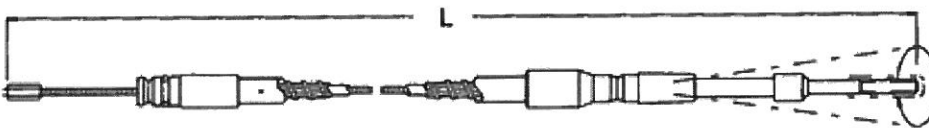


CABLE OUTPUT END	MODULATOR UNIT WITH CABLE		REPLACEMENT MODULATOR BOX
	PULL TO OPERATE	PUSH TO OPERATE	
GROOVED MOUNT			
173 UTILITY	CA 343-001-L	CA 343-002-L	P/N 165-900
174 UTILITY	CA 345-001-L	CA 354-002-L	
THREADED MOUNT			SLIP CLEVIS P/N AC-310
173 UTILITY	CA 343-001-L	CA 342-002-L	
174 UTILITY	CA 341-001-L	CA 341-002-L	

## Replacement Cables for Cablecraft modulator

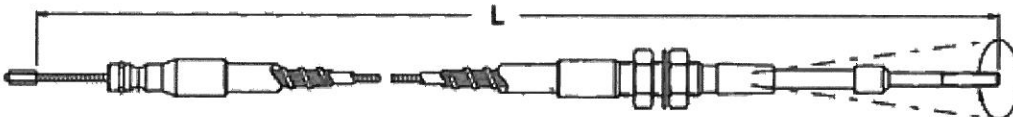


CABLE ONLY PART NO.	CABLE OUTPUT END
	THREADED MOUNT
CA 342-000-L	173 UTILITY
CA 341-000-L	174 UTILITY

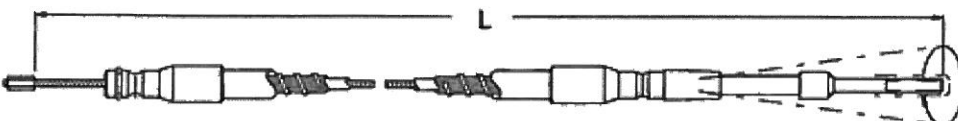


CABLE ONLY PART NO.	CABLE OUTPUT END
	GROOVED MOUNT
CA 343-000-L	173 UTILITY
CA 345-000-L	174 UTILITY

## Replacement Cables for other USA manufactured modulator



CABLE ONLY PART NO.	CABLE OUTPUT END
	THREADED MOUNT
CA 212 T-L	173 UTILITY
CA 213 T-L	174 UTILITY



CABLE ONLY PART NO.	CABLE OUTPUT END
	GROOVED MOUNT
CA 212 G-L	173 UTILITY
CA 213 G-L	174 UTILITY